

8

7

6

5

4

3

2

1

D

C

B

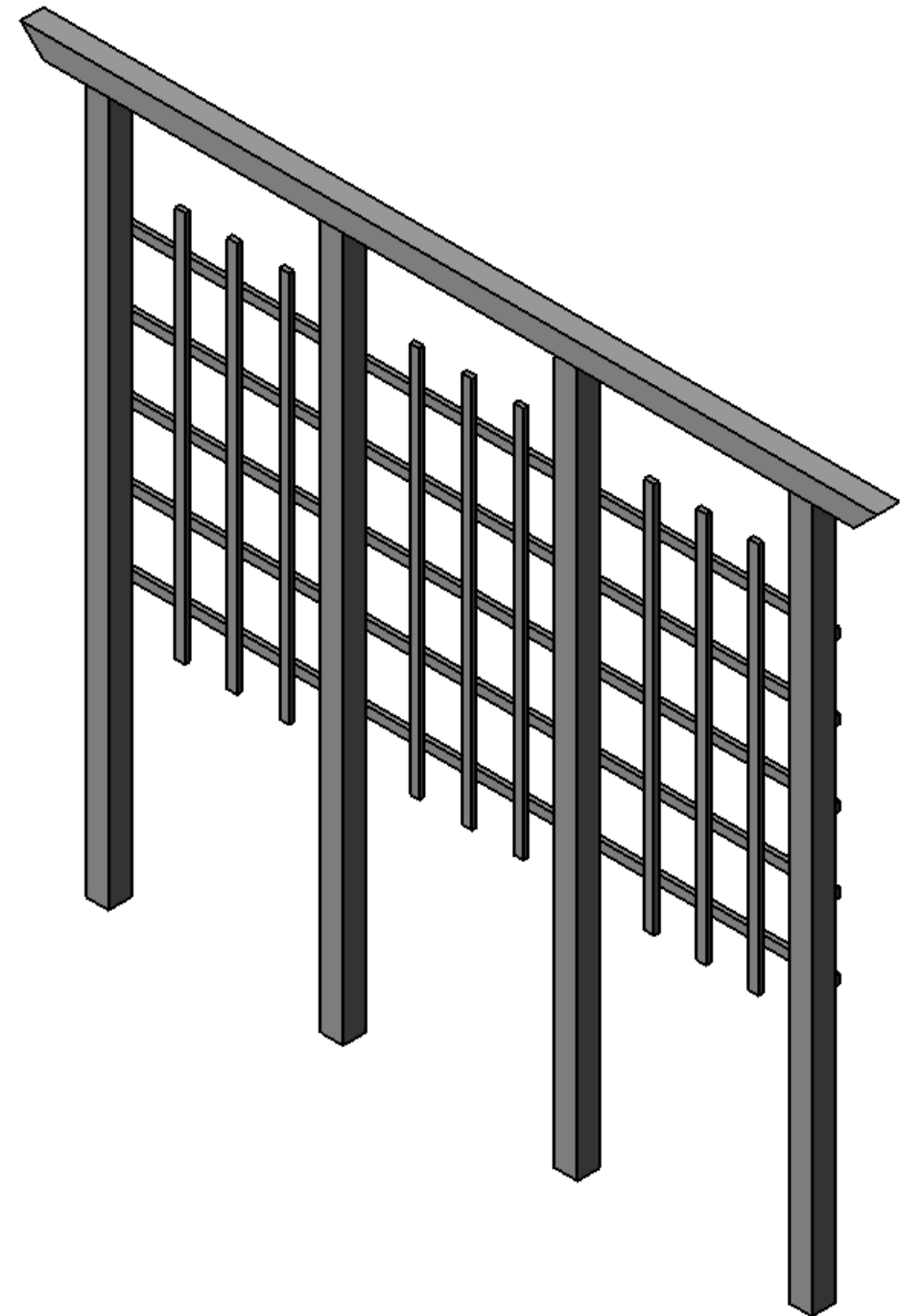
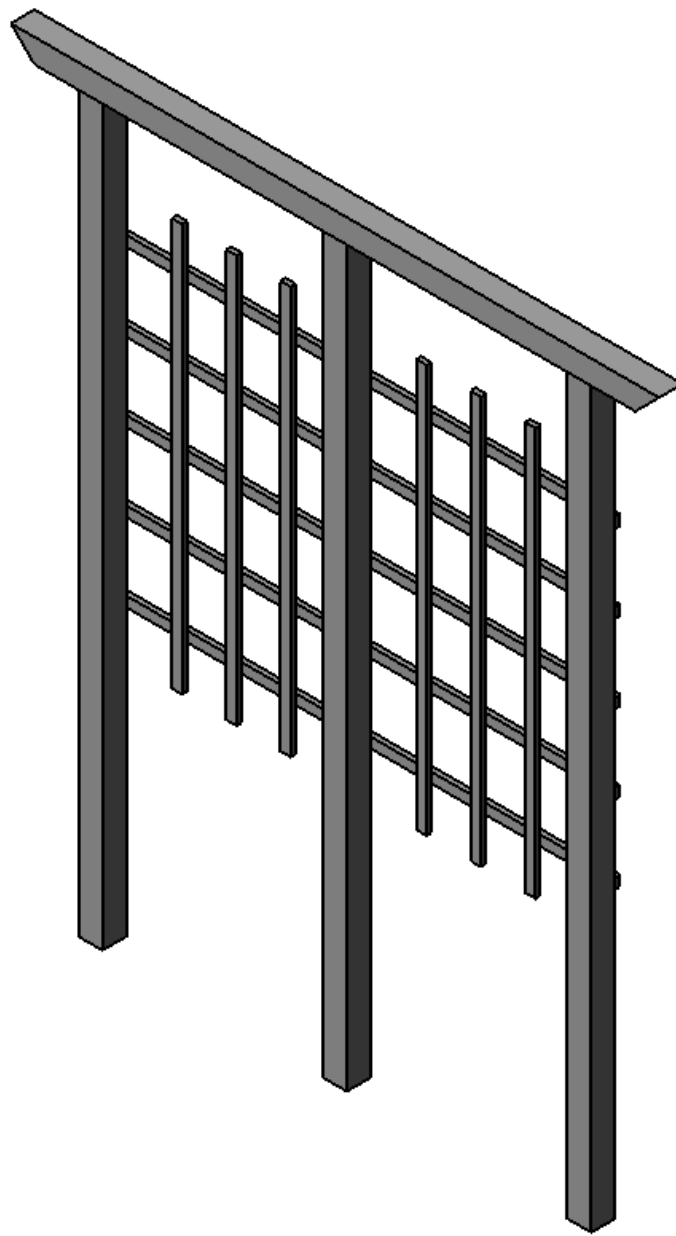
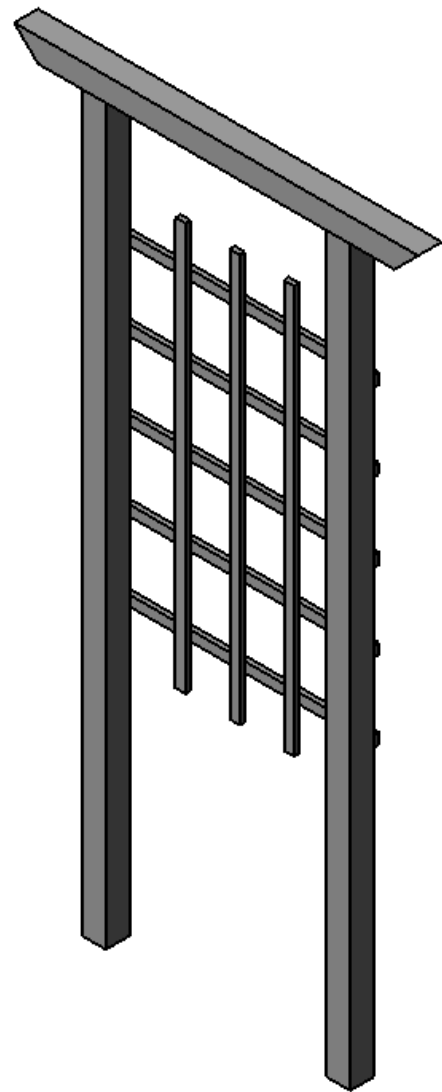
A

D

C

B

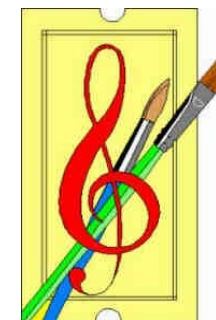
A



	DRYWALL SCREWS QTY	LAG BOLTS & WASHERS QTY
1 PANEL	29	2
2 PANEL	51	3
3 PANEL	73	4
DRYWALL SCREW: Coated Steel Countersunk Head Drywall Screw Sharp Point, 6-17 Thread, 1-1/4" Length		
LAG BOLT: Grade 2 Heavy Duty Hex Head (Lag) Wood Screw 1/4" Diameter, 5" Length, Zinc-Plated Steel		

PROPRIETARY AND CONFIDENTIAL
 THE INFORMATION CONTAINED IN THIS DRAWING IS THE SOLE PROPERTY OF THE WEST HUMBOLDT PARK CENTER FOR PERFORMING ARTS. ANY REPRODUCTION IN PART OR AS A WHOLE WITHOUT THE WRITTEN PERMISSION OF WHPCPA IS PROHIBITED.

IF YOU FIND THIS DRAWING USEFUL
 PLEASE SEND A CHECK FOR \$5.00 TO:
**WEST HUMBOLDT PARK
 CENTER FOR PERFORMING ARTS
 748 N LAWNDALE AVE
 CHICAGO IL 60624**



DESIGNED BY: DON AND LEE ANDERSON FOR THE BENEFIT OF WHPCPA	MATERIAL
APPLICATION	FINISH
	DO NOT SCALE DRAWING

TITLE: MULTI PANEL TRELLIS		
SIZE B	DWG. NO. TRELLIS	REV
SCALE: 1:20	WEIGHT:	SHEET 1 OF 4

8

7

6

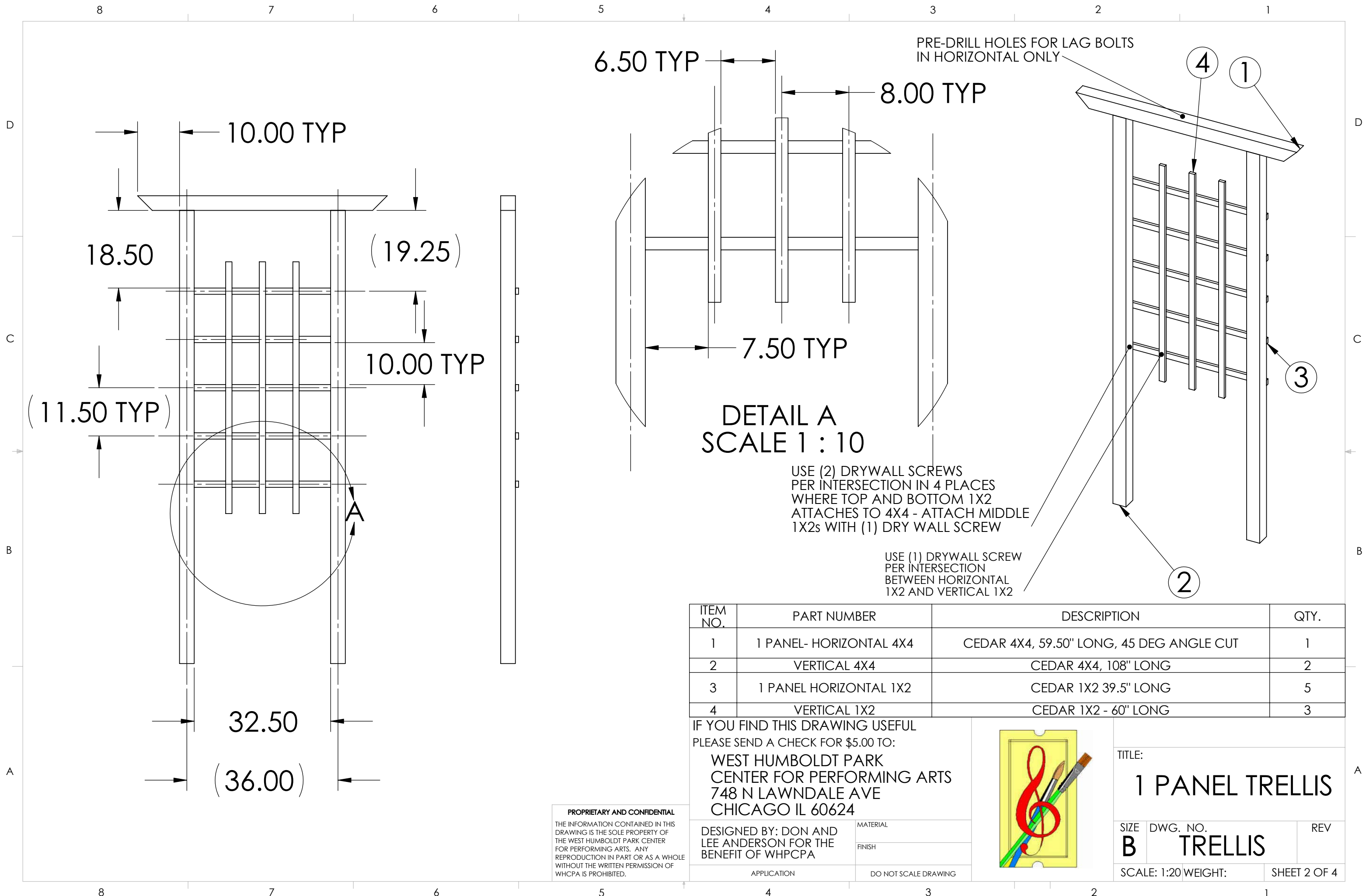
5

4

3

2

1



6.50 TYP 8.00 TYP

PRE-DRILL HOLES FOR LAG BOLTS IN HORIZONTAL ONLY

4 1

10.00 TYP

18.50

(19.25)

10.00 TYP

(11.50 TYP)

7.50 TYP

DETAIL A
SCALE 1 : 10

USE (2) DRYWALL SCREWS PER INTERSECTION IN 4 PLACES WHERE TOP AND BOTTOM 1X2 ATTACHES TO 4X4 - ATTACH MIDDLE 1X2s WITH (1) DRY WALL SCREW

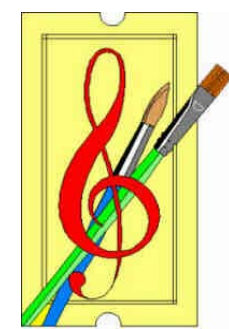
USE (1) DRYWALL SCREW PER INTERSECTION BETWEEN HORIZONTAL 1X2 AND VERTICAL 1X2

2

3

ITEM NO.	PART NUMBER	DESCRIPTION	QTY.
1	1 PANEL- HORIZONTAL 4X4	CEDAR 4X4, 59.50" LONG, 45 DEG ANGLE CUT	1
2	VERTICAL 4X4	CEDAR 4X4, 108" LONG	2
3	1 PANEL HORIZONTAL 1X2	CEDAR 1X2 39.5" LONG	5
4	VERTICAL 1X2	CEDAR 1X2 - 60" LONG	3

IF YOU FIND THIS DRAWING USEFUL
PLEASE SEND A CHECK FOR \$5.00 TO:
WEST HUMBOLDT PARK
CENTER FOR PERFORMING ARTS
748 N LAWNDALE AVE
CHICAGO IL 60624



TITLE:
1 PANEL TRELLIS

PROPRIETARY AND CONFIDENTIAL
THE INFORMATION CONTAINED IN THIS DRAWING IS THE SOLE PROPERTY OF THE WEST HUMBOLDT PARK CENTER FOR PERFORMING ARTS. ANY REPRODUCTION IN PART OR AS A WHOLE WITHOUT THE WRITTEN PERMISSION OF WHPCPA IS PROHIBITED.

DESIGNED BY: DON AND LEE ANDERSON FOR THE BENEFIT OF WHPCPA

MATERIAL
FINISH
DO NOT SCALE DRAWING

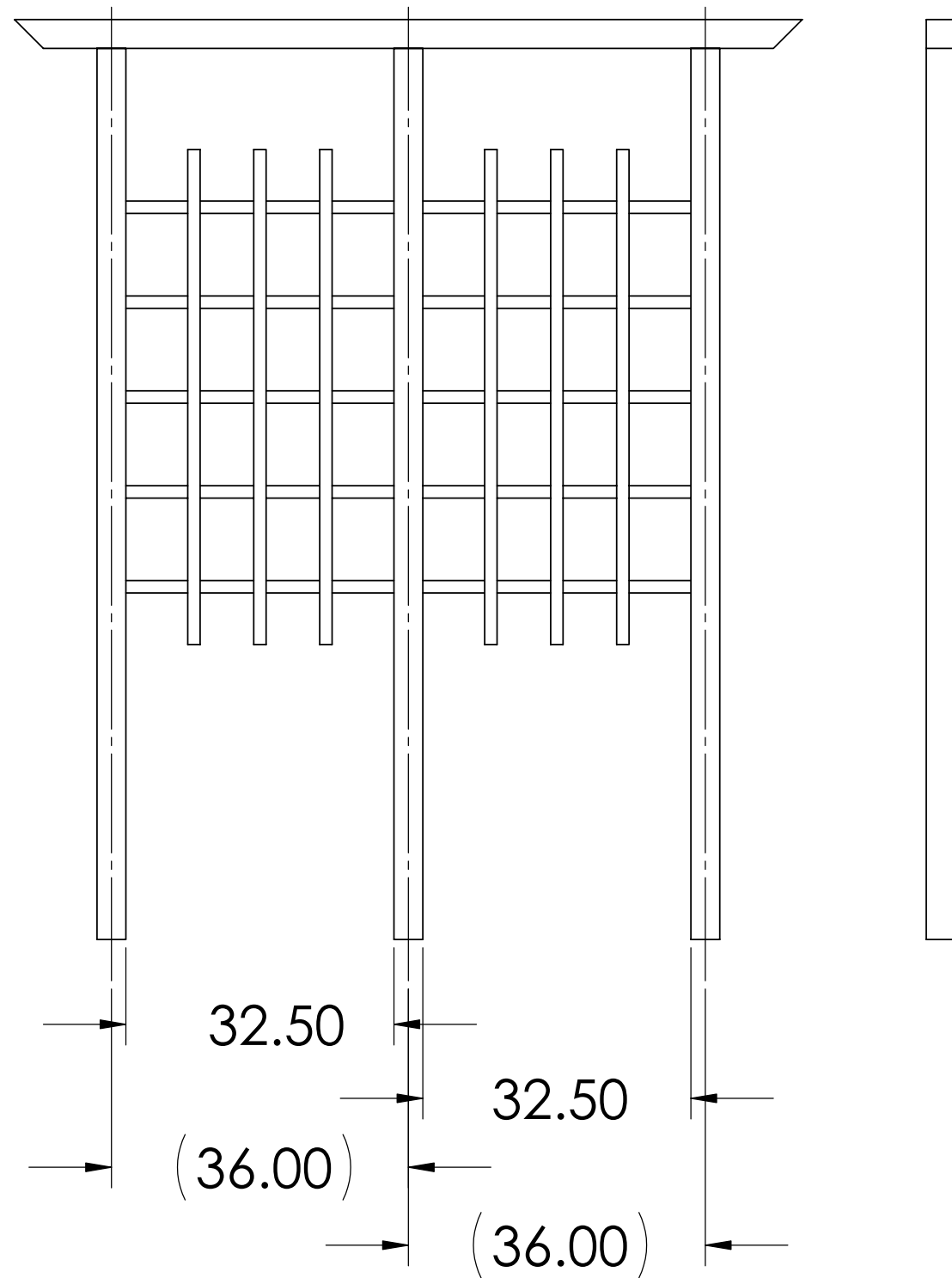
SIZE DWG. NO. REV
B **TRELLIS**

SCALE: 1:20 WEIGHT: SHEET 2 OF 4

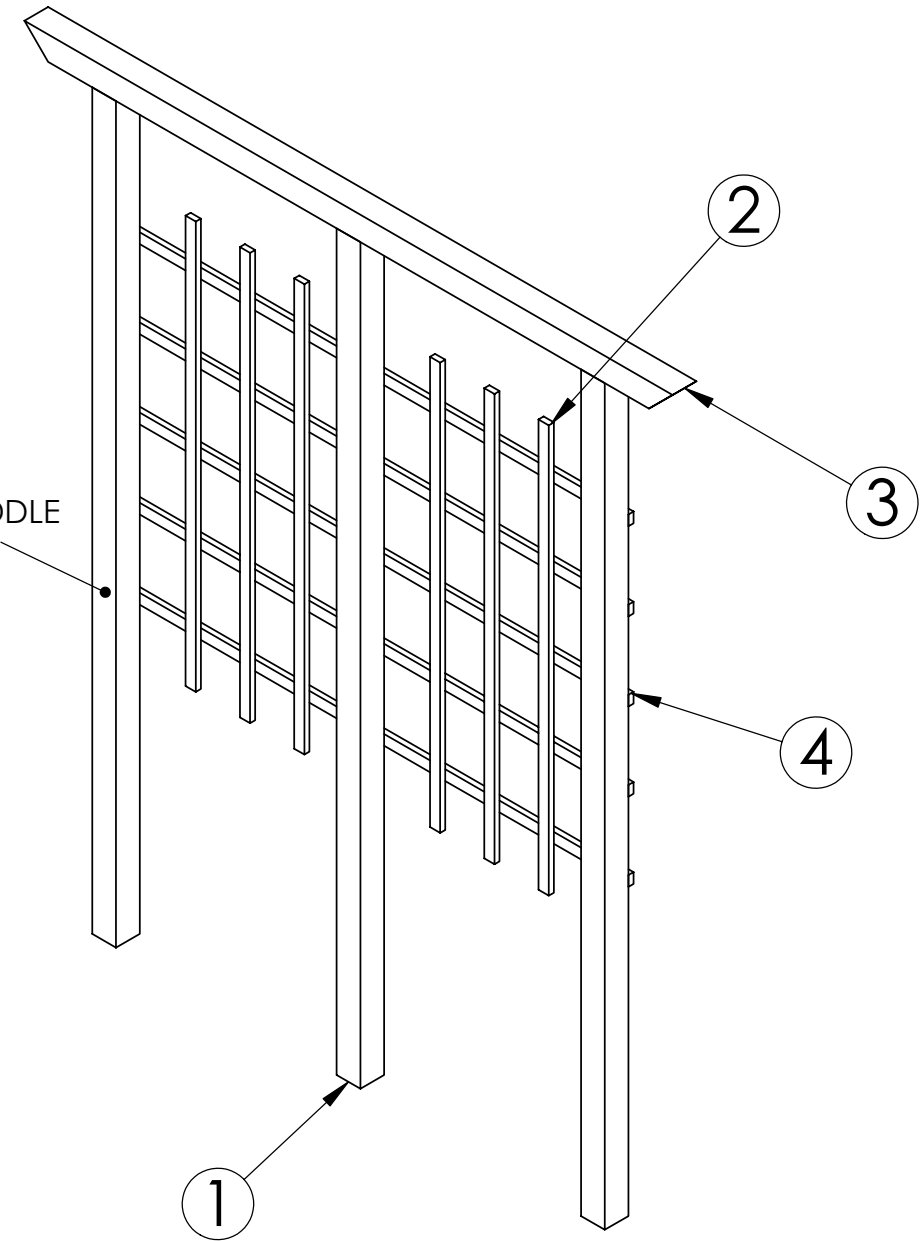
32.50

(36.00)

SEE 1 PANEL TRELLIS DRAWING FOR ADDITIONAL DETAILS



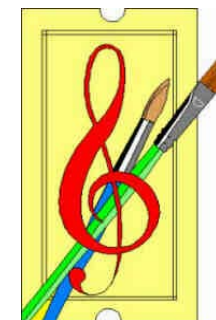
USE (2) DRYWALL SCREWS
PER INTERSECTION IN 6 PLACES
WHERE TOP AND BOTTOM 1X2
ATTACHES TO 4X4 - ATTACH MIDDLE
1X2s WITH (1) DRY WALL SCREW



ITEM NO.	PART NUMBER	DESCRIPTION	QTY.
1	VERTICAL 4X4	CEDAR 4X4, 108" LONG	3
2	VERTICAL 1X2	CEDAR 1X2 - 60" LONG	6
3	2 PANEL- HORIZONTAL 4X4	CEDAR 4X4, 95.50" LONG, 45 DEG ANGLE CUT	1
4	2 PANEL - HORIZONTAL 1X2	CEDAR 1X2 - 75.5" LONG	5

IF YOU FIND THIS DRAWING USEFUL
PLEASE SEND A CHECK FOR \$5.00 TO:

WEST HUMBOLDT PARK
CENTER FOR PERFORMING ARTS
748 N LAWNDALE AVE
CHICAGO IL 60624



TITLE:
2 PANEL TRELLIS

SIZE DWG. NO. REV
B **TRELLIS**

SCALE: 1:20 WEIGHT: SHEET 3 OF 4

PROPRIETARY AND CONFIDENTIAL

THE INFORMATION CONTAINED IN THIS
DRAWING IS THE SOLE PROPERTY OF
THE WEST HUMBOLDT PARK CENTER
FOR PERFORMING ARTS. ANY
REPRODUCTION IN PART OR AS A WHOLE
WITHOUT THE WRITTEN PERMISSION OF
WHCPA IS PROHIBITED.

DESIGNED BY: DON AND
LEE ANDERSON FOR THE
BENEFIT OF WHCPA

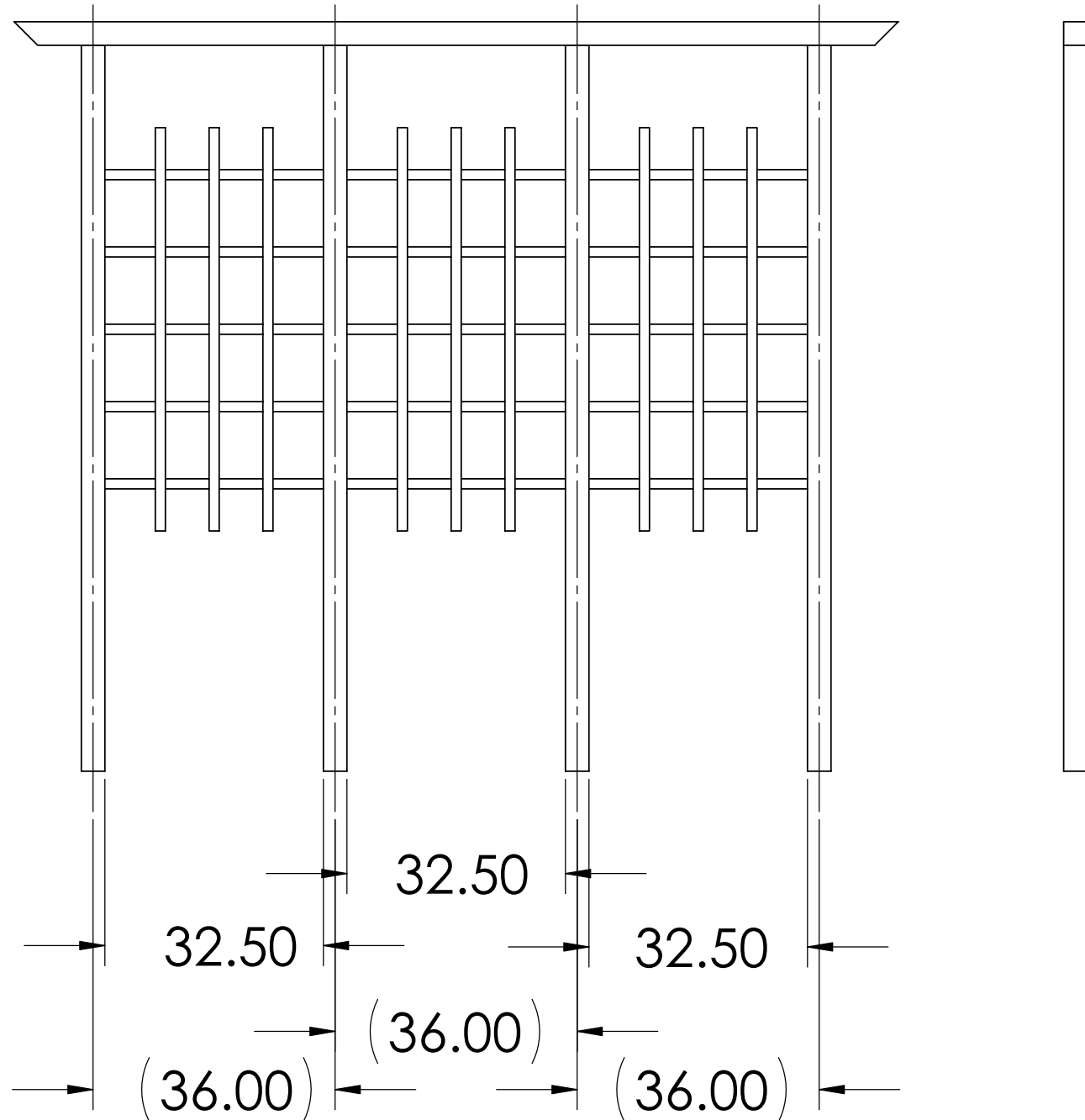
MATERIAL

FINISH

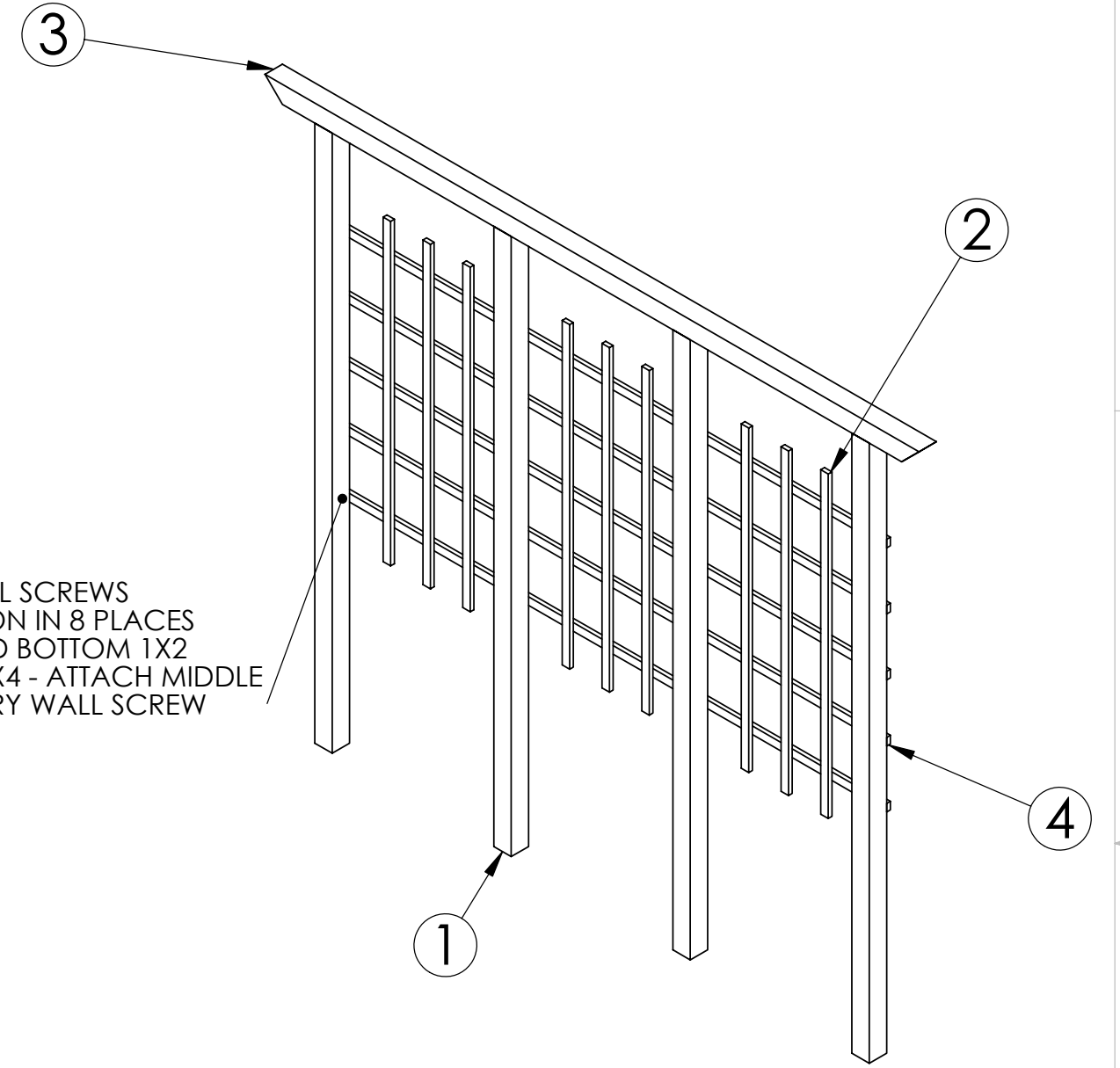
DO NOT SCALE DRAWING

APPLICATION

SEE 1 PANEL TRELLIS DRAWING FOR ADDITIONAL DETAILS

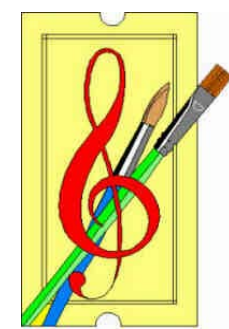


USE (2) DRYWALL SCREWS PER INTERSECTION IN 8 PLACES WHERE TOP AND BOTTOM 1X2 ATTACHES TO 4X4 - ATTACH MIDDLE 1X2s WITH (1) DRY WALL SCREW



ITEM NO.	PART NUMBER	DESCRIPTION	QTY.
1	VERTICAL 4X4	CEDAR 4X4, 108" LONG	4
2	VERTICAL 1X2	CEDAR 1X2 - 60" LONG	9
3	3 PANEL- HORIZONTAL 4X4	CEDAR 4X4, 131.50" LONG, 45 DEG ANGLE CUT	1
4	3 PANEL - HORIZONTAL 1X2	CEDAR 1X2 - 111.5" LONG	5

IF YOU FIND THIS DRAWING USEFUL PLEASE SEND A CHECK FOR \$5.00 TO:
WEST HUMBOLDT PARK CENTER FOR PERFORMING ARTS
 748 N LAWNDALE AVE
 CHICAGO IL 60624



PROPRIETARY AND CONFIDENTIAL
 THE INFORMATION CONTAINED IN THIS DRAWING IS THE SOLE PROPERTY OF THE WEST HUMBOLDT PARK CENTER FOR PERFORMING ARTS. ANY REPRODUCTION IN PART OR AS A WHOLE WITHOUT THE WRITTEN PERMISSION OF WHCPA IS PROHIBITED.

DESIGNED BY: DON AND LEE ANDERSON FOR THE BENEFIT OF WHCPA

MATERIAL
 FINISH
 APPLICATION DO NOT SCALE DRAWING

TITLE:
3 PANEL TRELLIS

SIZE DWG. NO. REV
B TRELLIS

SCALE: 1:24 WEIGHT: SHEET 4 OF 4